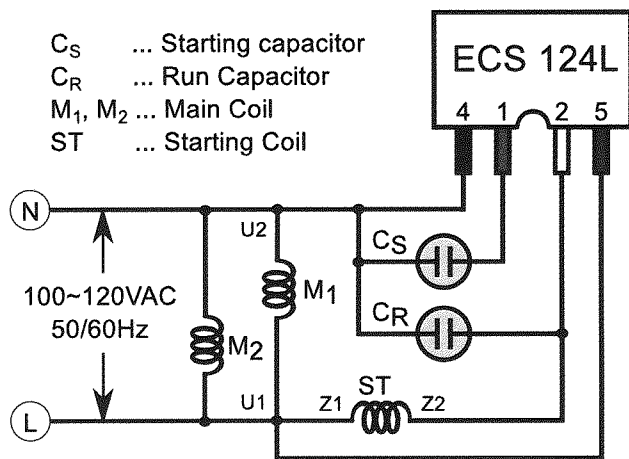


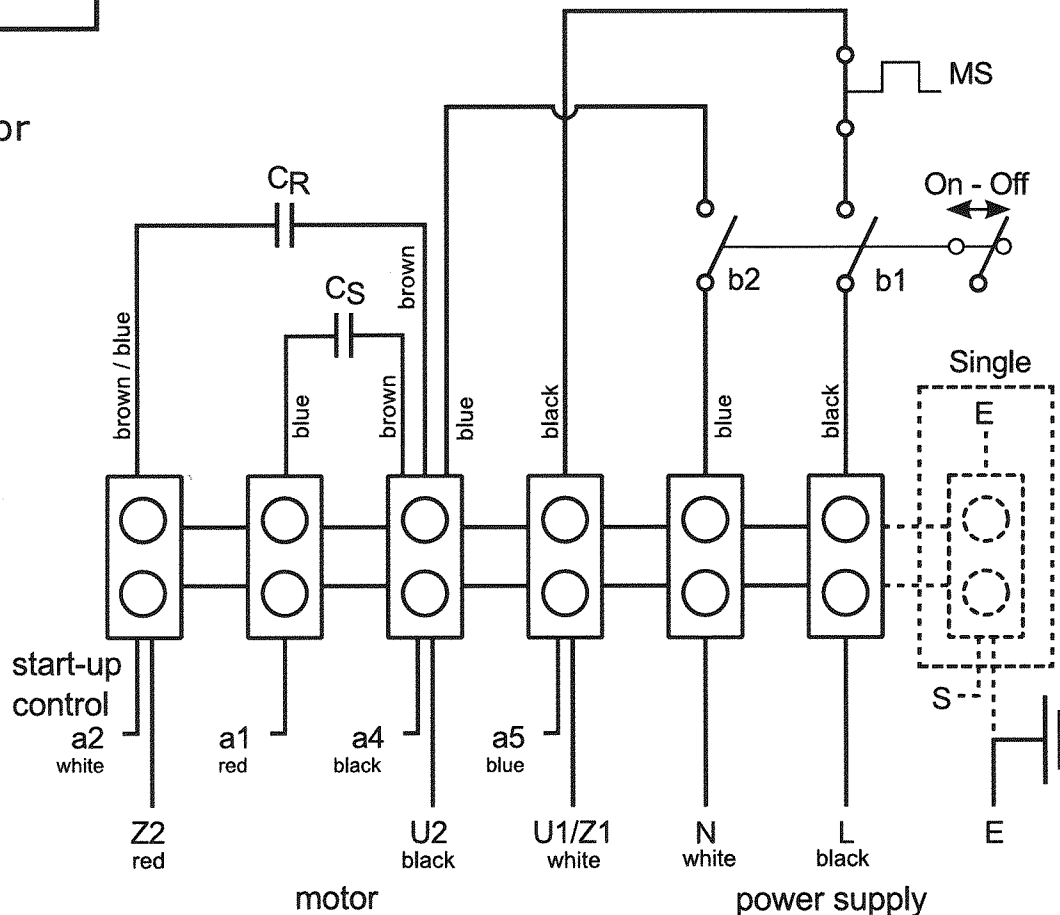
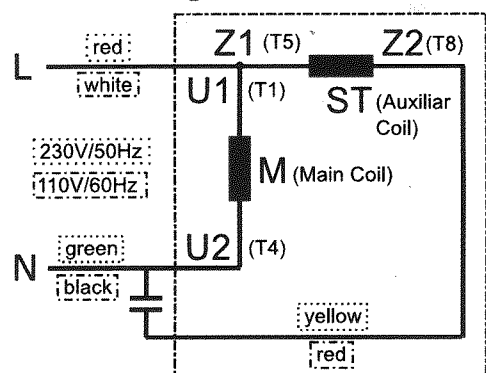
Corrected and verified wiring.
 Compared to the wiring by the manufacturer L and N was reversed.

TM wiring diagramm with start-up control ECS 124L



C_S ... Starting capacitor
 C_R ... Run Capacitor
 M_1, M_2 ... Main Coil
 ST ... Starting Coil

single-phase a.c. motor wiring



power supply

E ... earthing / grounding
 L ... live
 N ... neutral
 110V
 L black
 N white

single tandem ... single
 S ... power socket earthing

Motor ATB
 110V/60Hz
 U1/Z1 white
 U2 black
 Z2 red

capacitors

C_R ... run capacitor
 C_S ... start capacitor

start-up control ... ECS 124L

a1 ... red
 a2 ... white
 a4 ... black
 a5 ... blue

micro switch ... b1, b2

thermo relase ... MS
 (motor circuit breaker)