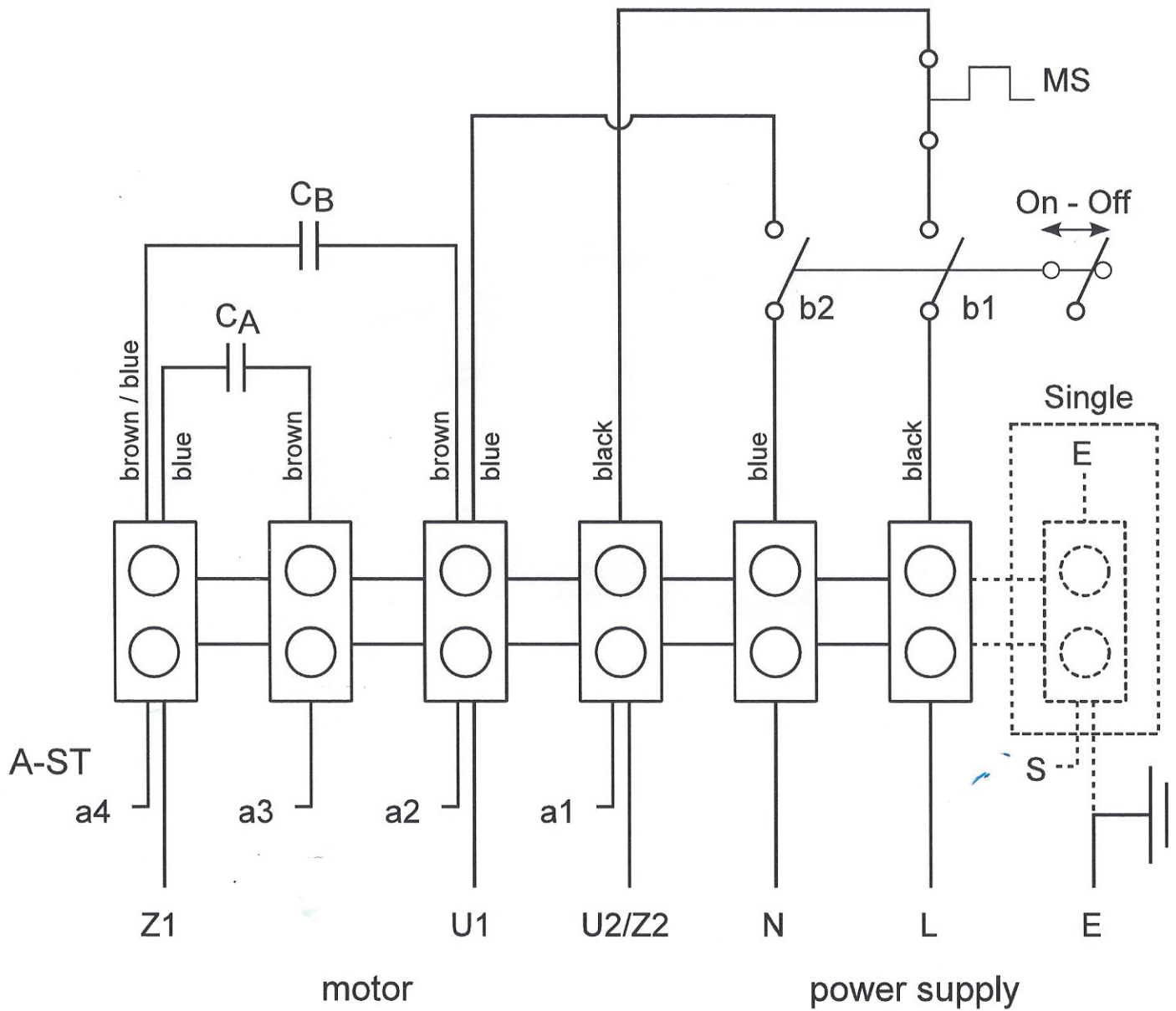


TM Pro wiring diagramm



- power supply
- E ... earthing / grounding
 - L ... live
 - N ... neutral
- | | | |
|---|-------|-------|
| | 110V | 230V |
| L | black | brown |
| N | white | blue |
- single tandem ... single
- S ... power socket earthing
- | | | | |
|-------|-------|--------|-----------|
| Motor | ATB | ATB | Lenze |
| | 110V | 230V | 110V+230V |
| U2/Z2 | white | red | black |
| U1 | black | green | red |
| Z1 | red | yellow | brown |
- capacitors
- CB ... running capacitor
 - CA ... start-up capacitor
- start-up control ... A-ST
- a1 ... green / blue
 - a2 ... white
 - a3 ... brown
 - a4 ... yellow
- micro switch ... b1, b2
- thermo relase ... MS
(motor circuit breaker)